

Mecca

Nero

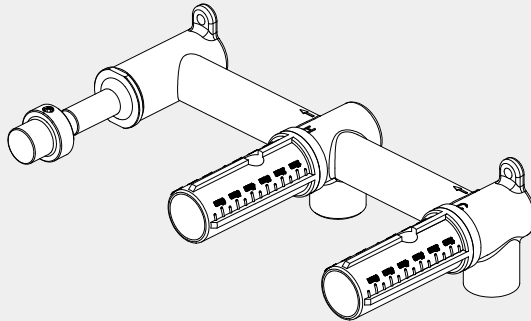
Lever Wall Basin/Bath Set

Offset Spout

Body Only

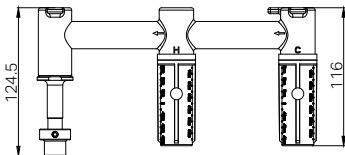
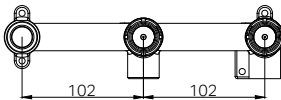


Lead Free



Version : 202601

Drawing



Specifications

SKU

25D017

Watermark License

WM-060073

Temperature Rating

Min 1 °C - Max 75 °C

Pressure Rating

Min 150kpa - Max 500kpa

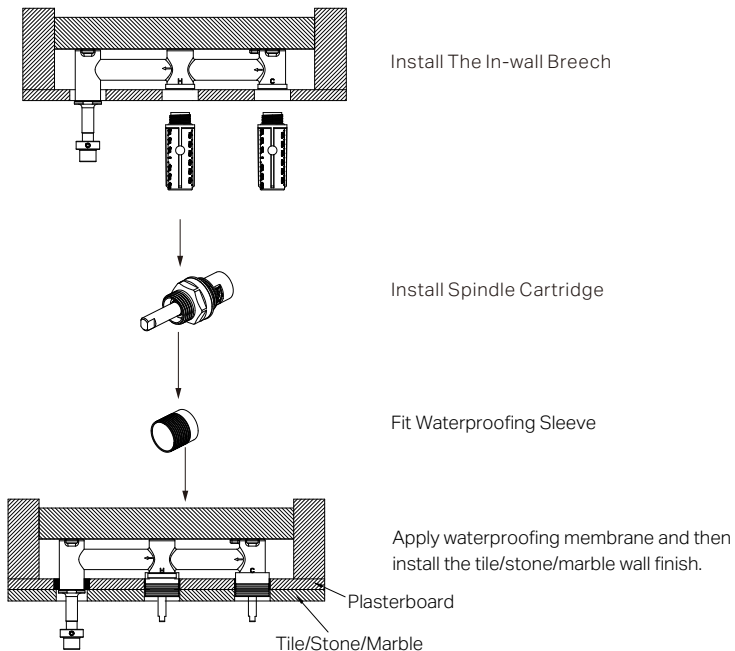
Packing Includes

1x In-wall Breech

*Dimensions are nominal measurements only.

IMPORTANT

- Ensure the spindles and waterproofing sleeves are installed and the waterproofing is completed before installing the tile, stone or marble wall finish, as shown below.

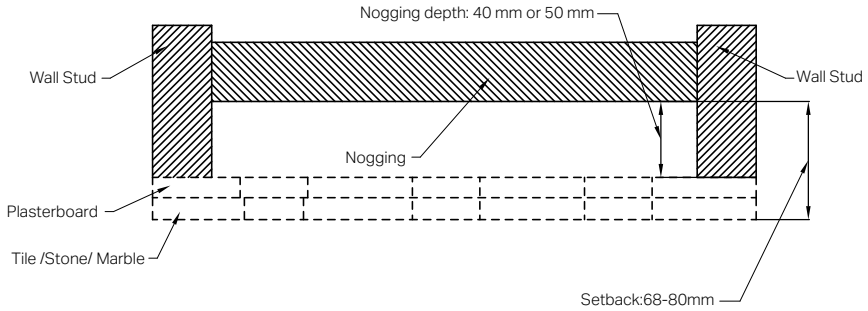
**INSTALLATION INSTRUCTIONS****GENERAL INFORMATION**

- This product must be installed by a licensed plumber. Ensure that the installation complies with the Australian/New Zealand Standard AS/NZS 3500.
- All pipework must be thoroughly flushed prior to the installation of the mixer. In-line filters must be fitted on both hot and cold supplies to prevent foreign particles from damaging the ceramic cartridge.
- All outlets used primarily for personal hygiene must deliver water at a safe temperature in accordance with regional regulations.

NOTE

- Do not hydrostatic test the installation with this mixer installed. Damage to the ceramic cartridge may occur.
- Do not remove the ceramic cartridge from the mixer when installing.
- After installation, all connections must be checked for leaks.
- This mixer is not recommended for use in uncontrolled heating systems such as wet-backs or solar heating units unless a suitable tempering valve is fitted.
- If limited water flow is experienced, locate aerator and filter washers and clean away foreign material as required.
- It is the responsibility of the plumber to ensure a waterproof seal is achieved between the product and mounting surface. If in doubt about the quality of the seal, remove the product and reinstall.

INSTALLATION STEPS

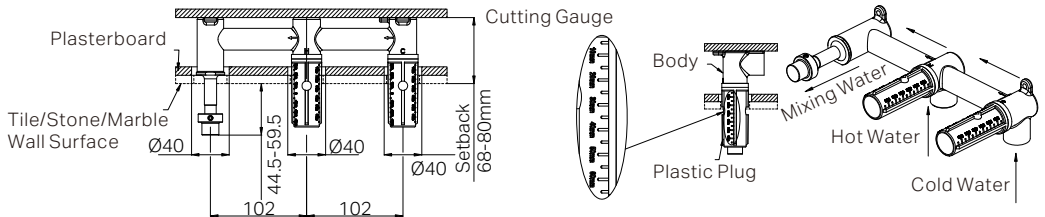


1. Nogging Set-out Guide

Required distance to finished wall surface: 68-80 mm.

Wall Finish	Finished Wall Thickness	Nogging Depth
Tile	18-30 mm	50mm
Stone / Marble	28-40 mm	40mm

Note: Finished wall thickness includes plasterboard, waterproofing membrane, adhesive and tile.



2. Fix the in-wall breach onto the nogging, ensuring the setback is 68–80 mm from the finished tile/stone/marble wall surface.

Another Way: Confirm the point on the plastic plug that aligns with the wall surface is 23–35mm.

3. Connect the cold and hot water pipes, turn on the water supply for pressure testing, and ensure there are no leaks.

4. Install the plasterboard and drill three Ø40 mm holes as shown in the diagram above.

FINAL INSPECTION:

- Ensure the product operates smoothly and that there are no leaks at the connections.
- Clean the area and the newly installed tap with a soft cloth to remove any installation residues.

Nero



Warranty Policy