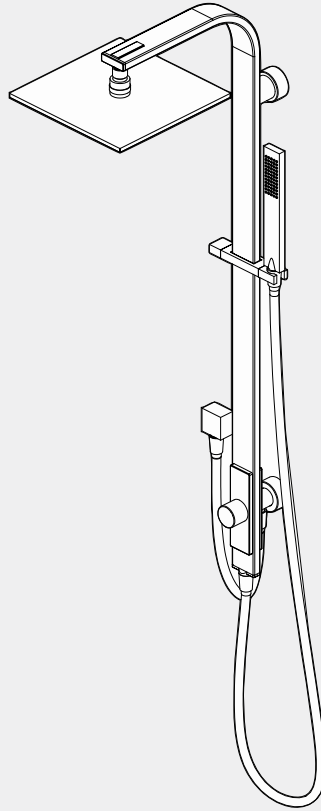


Astra Rain Square Twin Shower Double Hose

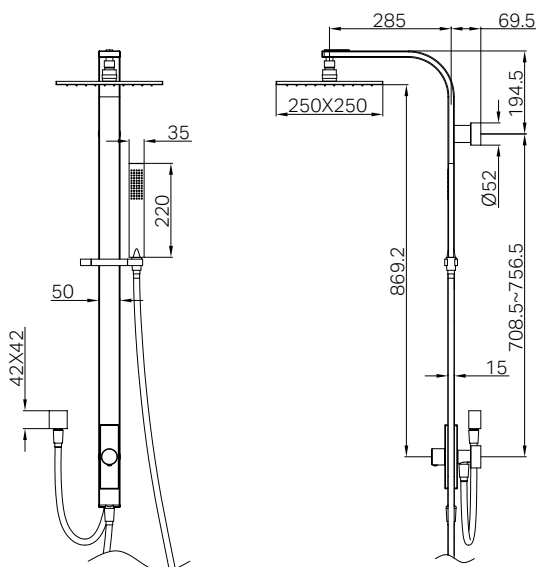
Nero



Versions:202512



Drawing



Specifications

Watermark License
WM-060093

Temperature Rating
Min 1°C-Max 75°C

Pressure Rating
Min 150kpa - Max 500kpa

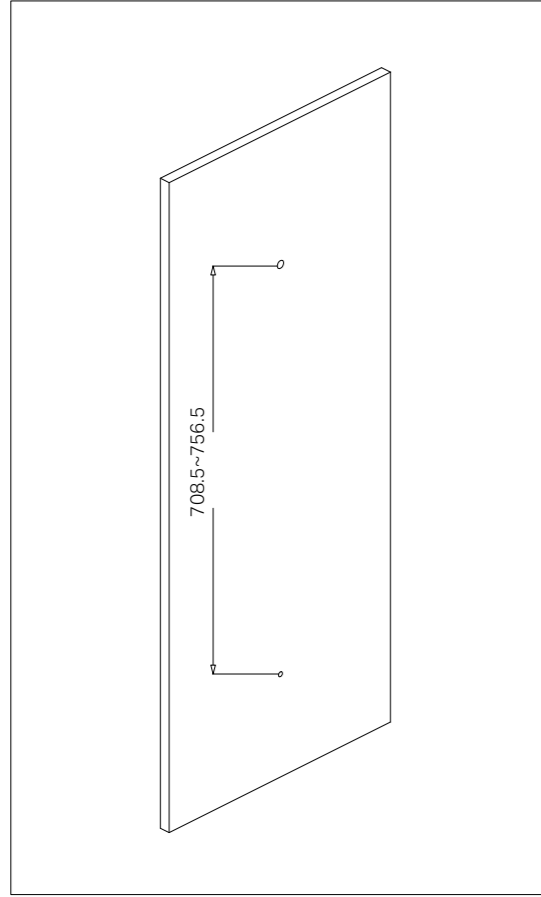
Finish & SKU

- Chrome**
NR281305dCH
- Matte Black**
NR281305dMB

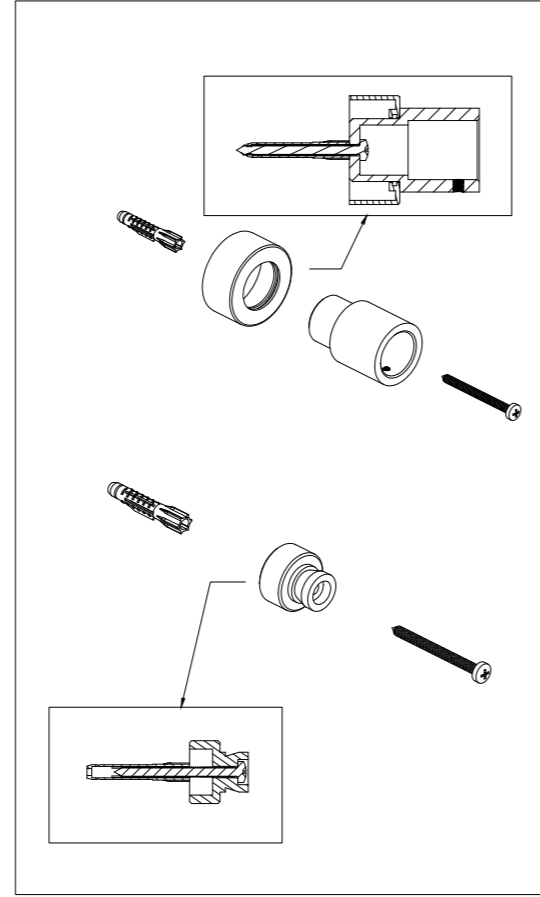
Packaging Includes

- 1x Shower Arm
- 1x Shower Rail
- 1x Shower Head
- 1x Hand Shower
- 1x Elbow
- 1x 1.5m PVC Shower Hose
For Hand Shower
- 1x 0.5m PVC Shower Hose
For Elbow
- 1x Shower Fixing Kit

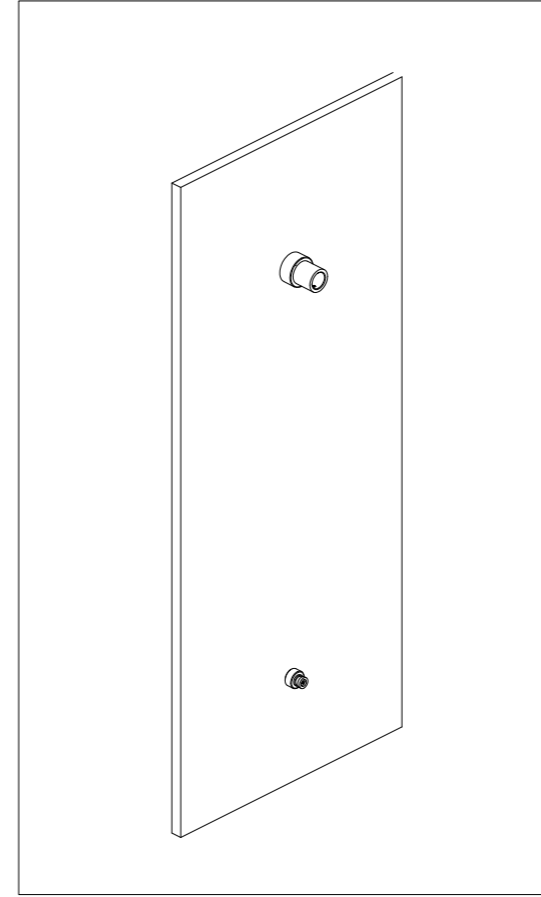
*Dimensions are nominal measurements only.



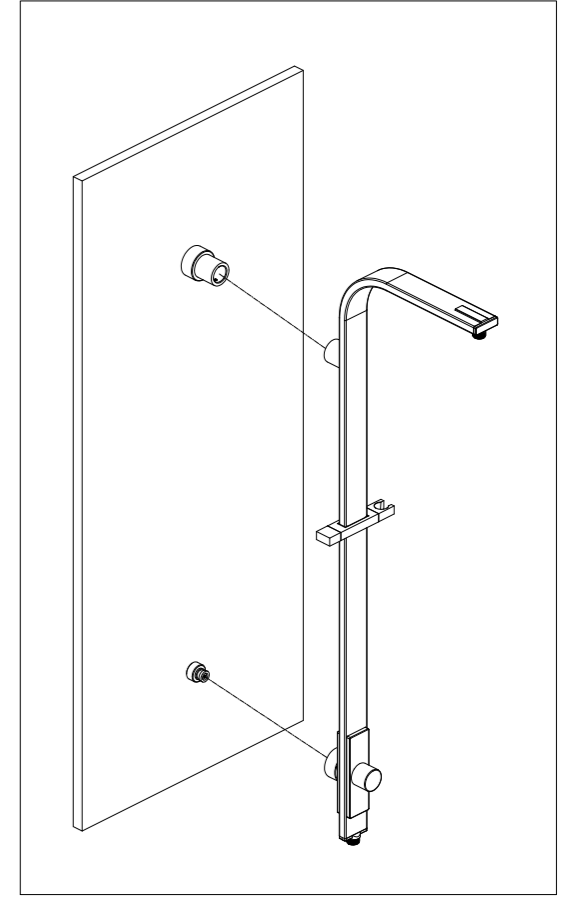
1. Drill two vertical holes in the wall, 756.5mm apart.



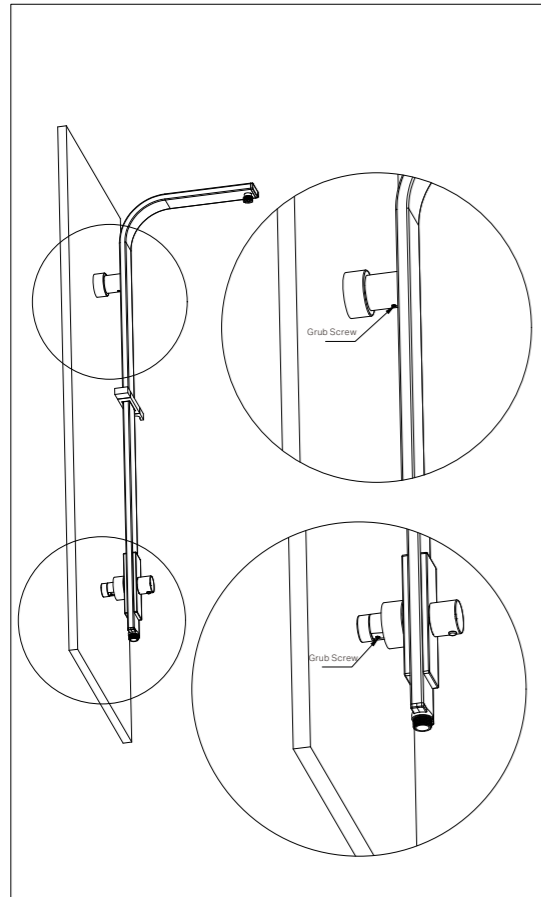
2. Insert the expansion screws into the holes, then attach the backplate and fixing bracket using the provided screws.



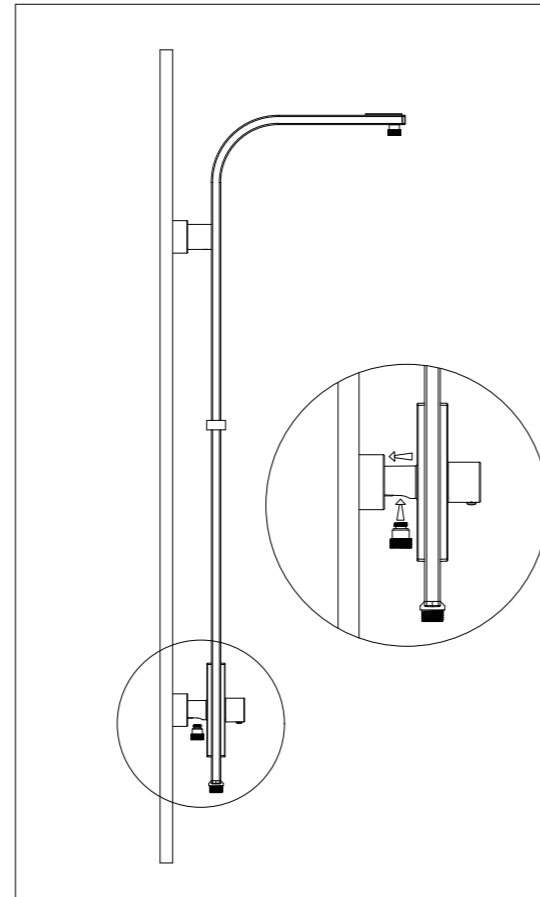
3. Verify the secure installation of the top and bottom brackets as shown in the image.



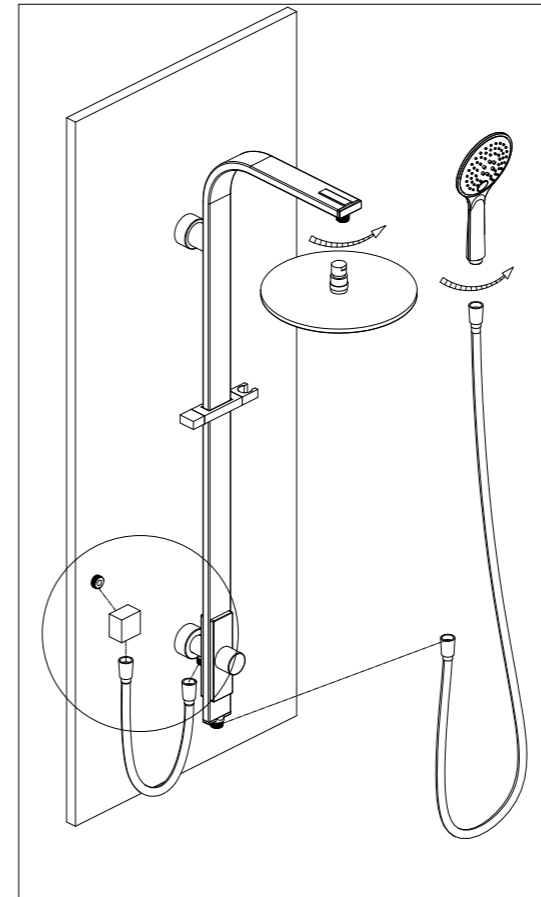
4. Place the shower rail onto the mounted brackets.



5. Push the shower rail onto the brackets firmly and tighten with the grub screw.



6. Adjust the bottom bracket so the water inlet connection thread is exposed.



7. Attach the elbow to the water inlet. Connect the 0.5m hose from the elbow to the inlet connection, and the 1.5m hose from the lower end of the rail to the hand shower.

Nero

