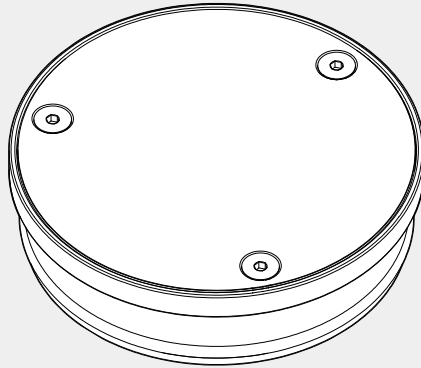


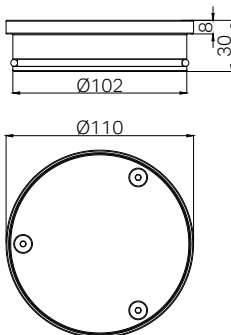
316L Stainless Round Clear Out 100mm Outlet

Nero



Version : 202512

Drawing



Specifications

Watermark License
WM-032203

Finish & SKU

 **Brushed Gold**
NRFW010BN

 **PVD Black**
NRFW010PB

 **Graphite**
NRFW010GR

 **Brushed Gold**
NRFW010BG

 **Brushed Bronze**
NRFW010BZ

Packing Includes

1x Round Clear Out
2x O-rings
1x Access Cover
3x Countersunk
Fixing Screws

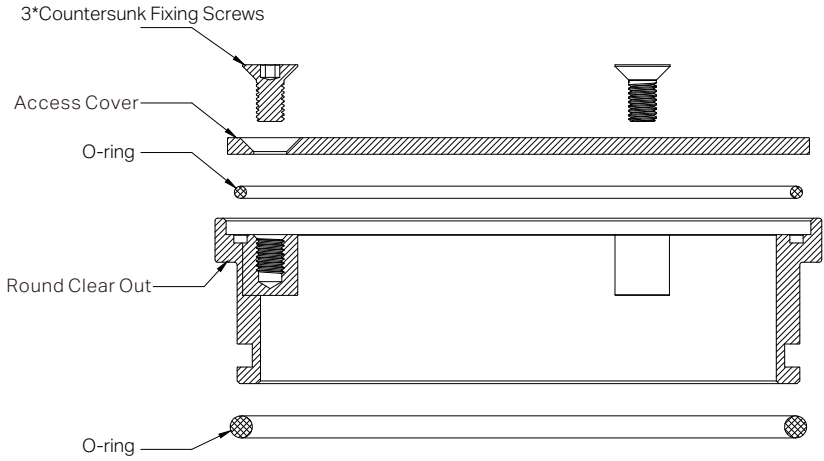
*Dimensions are nominal measurements only

REMOVAL INSTRUCTIONS

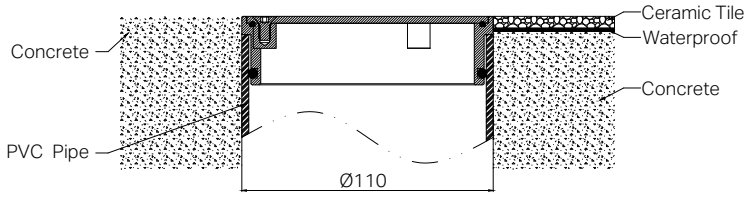
GENERAL INFORMATION

- Install the clear out in an accessible location to allow inspection and maintenance of the drainage line, complies with Australian/New Zealand Standard AS /NZS 3500 and local authority requirements.
- Ensure the cap is securely fitted, watertight, and removable, and that the clear out is not concealed by permanent fixtures or finishes.
- After works are completed, flush the line to confirm correct operation, refit the cap properly, and check for leaks.

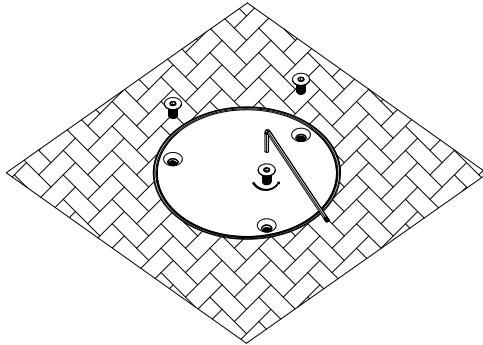
Parts Name



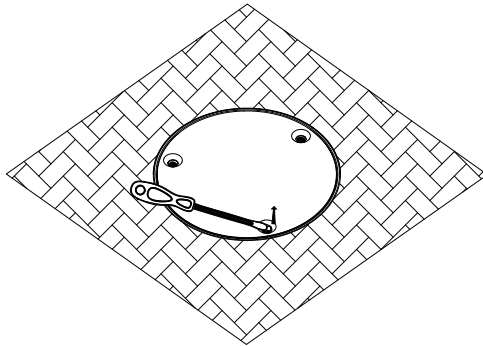
Inspection And Access Instructions



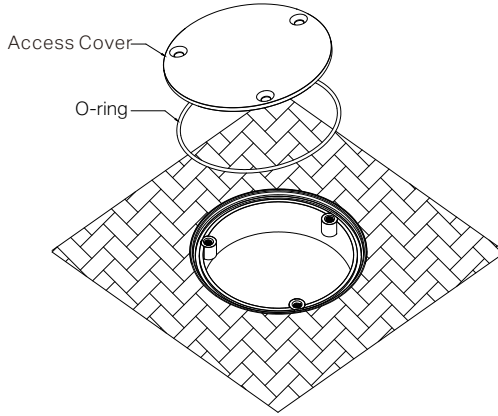
1. Ensure the surrounding area is clear and safe to access before commencing inspection works.



2. Using a suitable hex key, remove the countersunk fixing screws securing the access cover.



3. Insert a flathead screwdriver into one of the countersunk holes on the access cover. Use the screwdriver to lever gently against the edge of the hole while turning the access cover. The cover will release and can then be lifted out.



4. Carefully remove the access cover and sealing O-ring, ensuring the O-ring is not damaged or misplaced.

Proceed with inspection, cleaning, or maintenance of the drainage line as required.

MAINTENANCE AND CARE

- Periodically inspect the fittings to ensure that they remain secure.
- Use a soft cloth and mild soapy water to clean the surface. Do not use harsh chemicals, abrasive cleaners, acidic substances, or scouring pads, as these may damage the finish.

Nero



Warranty Policy