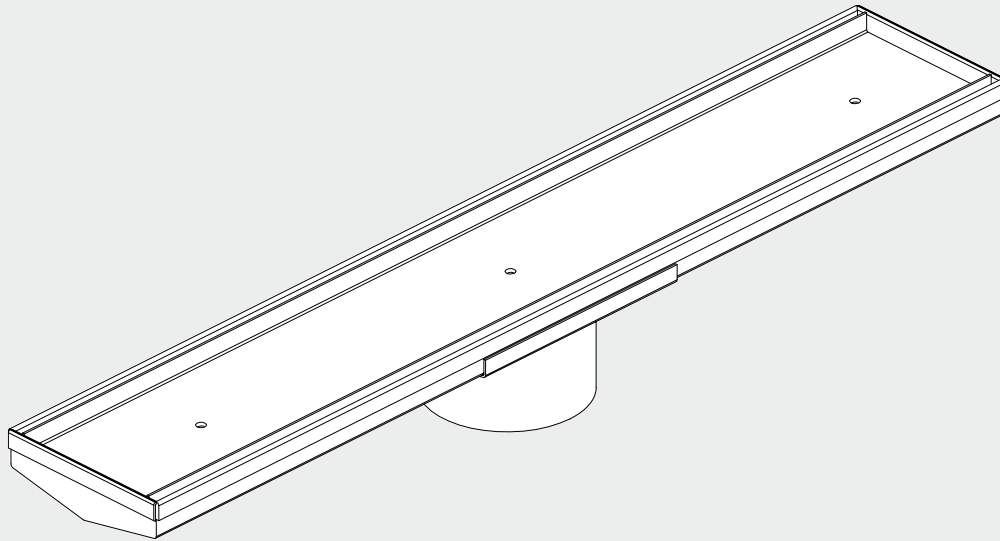


Tile Insert V Channel 600mm Floor Grate 89mm Outlet With Hole Saw

Nero

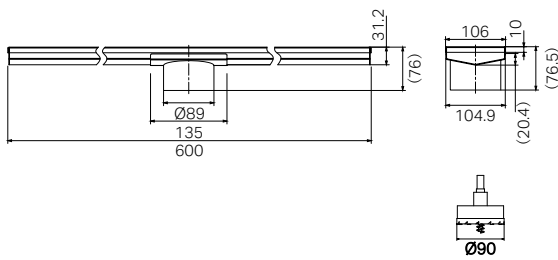


Version:202506



Warranty Policy

Drawing



Specifications

Watermark License
WM-032203

Packaging Includes

1x Floor Grate
1x Hole Saw
(Packed with Floor Grate Base)

Finish & SKU

- Brushed Nickel
NRFG004HSBN
- Gun Metal
NRFG004HSGM
- Brushed Bronze
NRFG004HSBZ
- Matte Black
NRFG004HSMB
- Brushed Gold
NRFG004HSBG

*Dimensions are nominal measurements only.

INSTALLATION INSTRUCTIONS

GENERAL INSTRUCTIONS:

- This product must be installed by a licensed plumber. Ensure that your plumbing installation complies with the Australian/New Zealand Standard AS/NZS 3500.
- Do not pour concrete around floor grate. Use timber formwork and install the grate only after concrete has fully cured.
- Apply a waterproof membrane compliant with AS 3740 between the substrate and finished tile surface before laying tiles.

MAINTENANCE AND CARE:

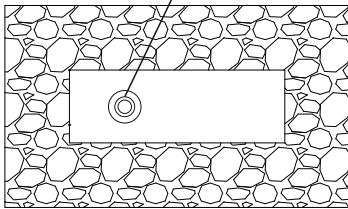
- Clean the grate with a soft cloth or non-abrasive brush.
- Avoid sharp or metallic tools when clearing blockages.
- If clogging occurs, use a plunger or soft drain snake.
- Do not use harsh chemical cleaners that may damage the finish or membrane.

IMPORTANT NOTES FOR INSTALLATION

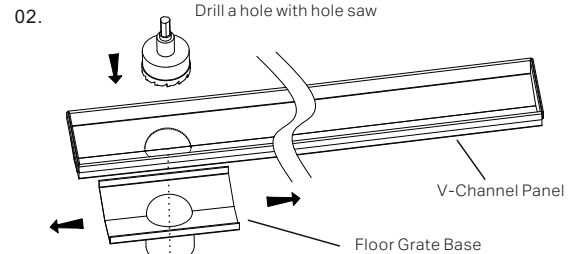
- Confirm a puddle flange has been correctly installed and is compatible with the outlet pipe.
- Reserve sufficient installation space around the outlet.
- Ensure all parts are clean and free from debris, adhesive or sealant.
- Use UV- and weather-resistant sealants for all external sealing.

INSTALLATION INSTRUCTIONS

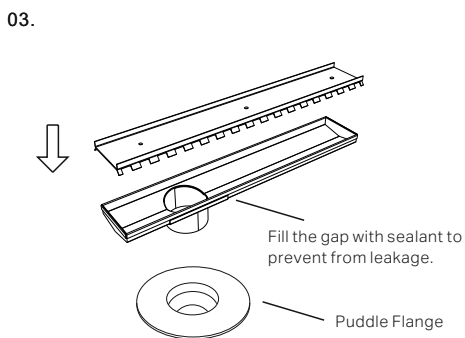
01. Puddle Flange



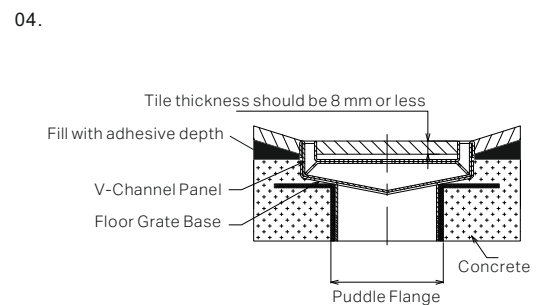
Confirm a puddle flange has been correctly installed and is compatible with the outlet pipe.



Drill a hole in the V-Channel Panel using the provided Ø89mm hole saw, aligned to the drainage point.



Install all the parts as shown in the diagram.
NOTE: seal around the contact area using sanitary-grade silicone.



Lay the floor tiles and ensure the tiles have an appropriate slope toward the floor grate to make the water flow efficiently into the grate.
NOTE: the thickness of the tile should not exceed 8mm.

Final Placement and Cleaning:

Clean up and check for leaks.