

Mecca

Nero

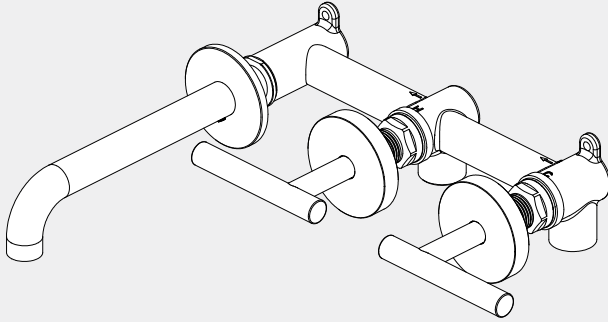
Lever Wall Basin/Bath Set

160mm/185mm/220mm

Offset Spout

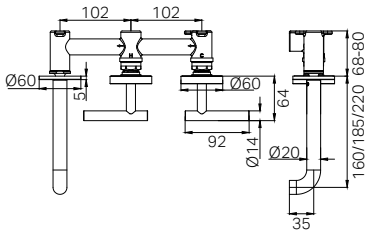


Lead Free



Version : 202601

Drawing



Note: Spout length corresponds to SKU:

160mm → 25D009
185mm → 25D010
220mm → 25D011

Specifications

Watermark License

WM-060073

Temperature Rating

Min 1 °C - Max 75 °C

Pressure Rating

Min 150kpa - Max 500kpa

Finish & SKU

● **Chrome**

25D009CH/25D010CH
25D011CH

● **Matte Black**

25D009MB/25D010MB
25D011MB

● **Matte White**

25D009MW/25D010MW
25D011MW

● **Brushed Nickel**

25D009BN/25D010BN
25D011BN

● **Brushed Gold**

25D009BG/25D010BG
25D011BG

● **Gun Metal**

25D009GM/25D010GM
25D011GM

● **Brushed Bronze**

25D009BZ/25D010BZ
25D011BZ

*Dimensions are nominal measurements only.

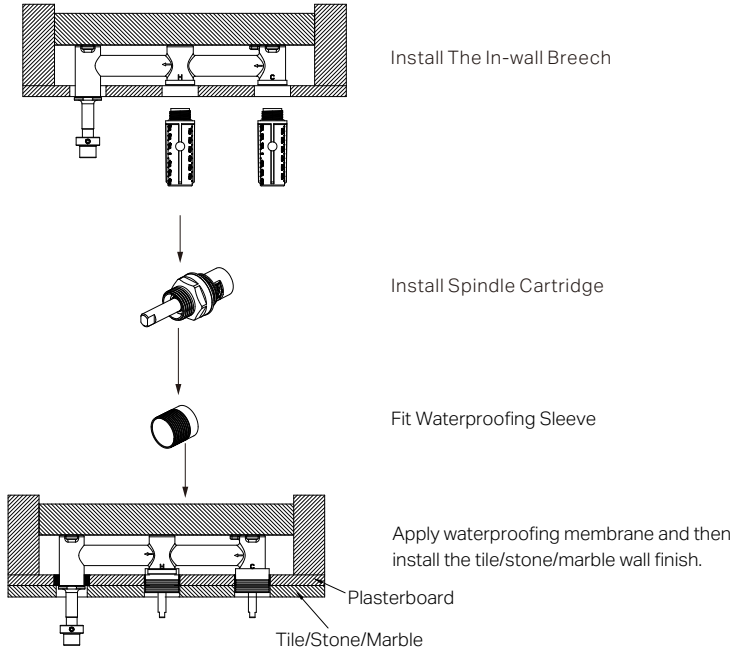
Group Items

1x In-wall Breech

1x Trim Kits

IMPORTANT

- Ensure the spindles and waterproofing sleeves are installed and the waterproofing is completed before installing the tile, stone or marble wall finish, as shown below.

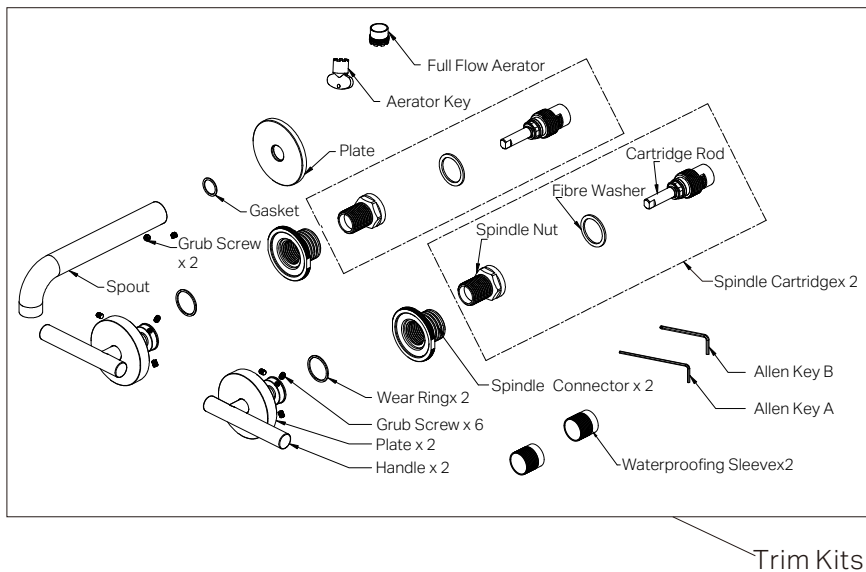
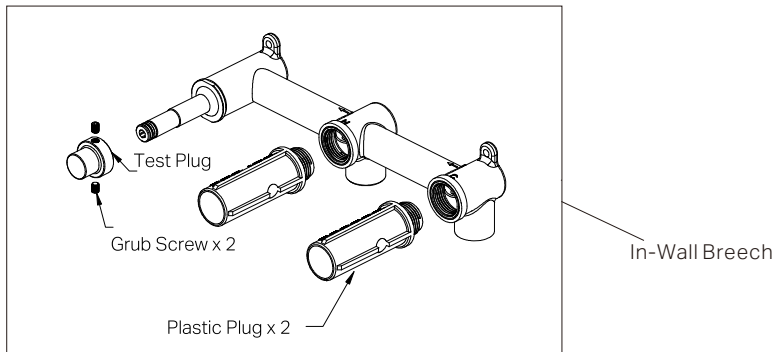
**INSTALLATION INSTRUCTIONS****GENERAL INFORMATION**

- This product must be installed by a licensed plumber. Ensure that the installation complies with the Australian/New Zealand Standard AS/NZS 3500.
- All pipework must be thoroughly flushed prior to the installation of the mixer. In-line filters must be fitted on both hot and cold supplies to prevent foreign particles from damaging the ceramic cartridge.
- All outlets used primarily for personal hygiene must deliver water at a safe temperature in accordance with regional regulations.

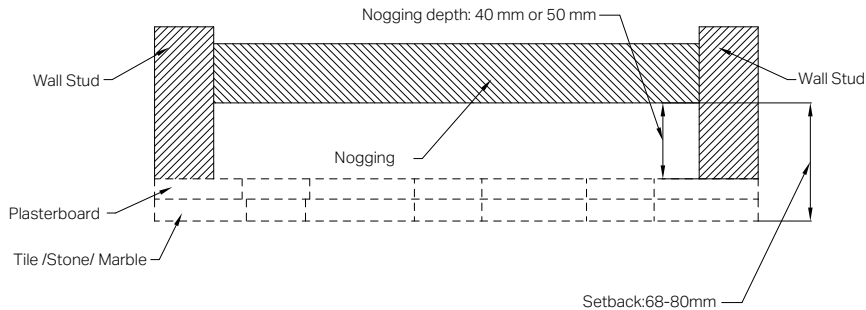
NOTE

- Do not hydrostatic test the installation with this mixer installed. Damage to the ceramic cartridge may occur.
- Do not remove the ceramic cartridge from the mixer when installing.
- After installation, all connections must be checked for leaks.
- This mixer is not recommended for use in uncontrolled heating systems such as wet-backs or solar heating units unless a suitable tempering valve is fitted.
- If limited water flow is experienced, locate aerator and filter washers and clean away foreign material as required.
- It is the responsibility of the plumber to ensure a waterproof seal is achieved between the product and mounting surface. If in doubt about the quality of the seal, remove the product and reinstall.

PARTS NAME



INSTALLATION STEPS FOR IN-WALL BREECH

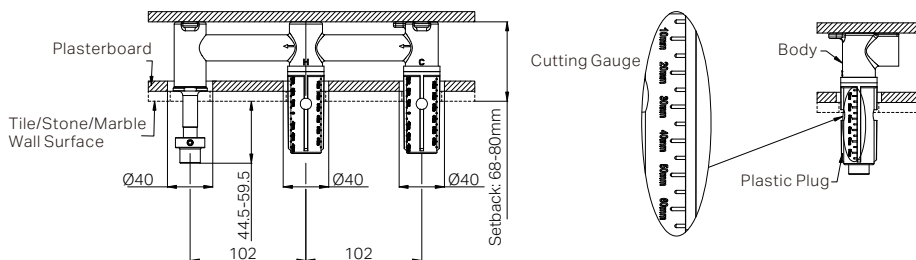


1. Nogging Set-out Guide

Required distance to finished wall surface: 68-80 mm.

Wall Finish	Finished Wall Thickness	Nogging Depth
Tile	18-30 mm	50mm
Stone / Marble	28-40 mm	40mm

Note: Finished wall thickness includes plasterboard, waterproofing membrane, adhesive and tile.



2. Fix the in-wall breach to the nogging.

Ensure a set-out depth of 68–80 mm from the finished tile / stone / marble wall surface.

(Alternatively, the reference mark on the plastic plug should align 23–35 mm from the wall surface.)

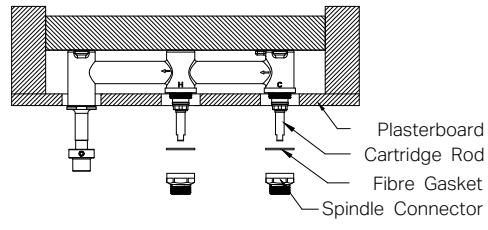
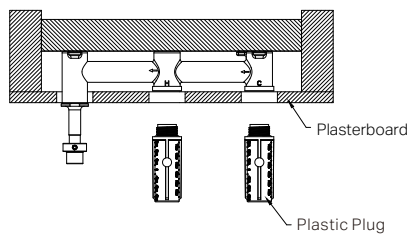
3. Connect the hot and cold water pipes.

Turn on the water supply and pressure test to ensure there are no leaks.

4. Install the plasterboard and drill Ø40 mm holes as shown.

Note: Ensure the spindles and waterproofing sleeves are installed and the waterproofing is completed before installing the tile, stone or marble wall finish.

INSTALLATION STEPS FOR TRIM KITS



1. Remove the plastic plug on both sides.

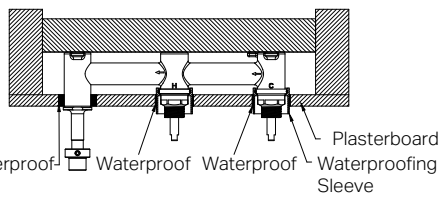
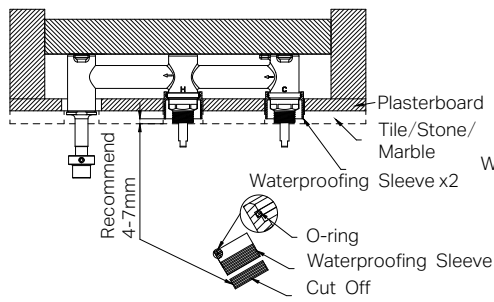
2. Tighten the cartridge rod firmly into the in-wall breach with a torque wrench .
Recommend torque: 6–8 Nm.

3. Place the fibre washer onto the cartridge rod.

4. Tighten the spindle nut onto the cartridge rod with a torque wrench.

Recommend torque: 15–18 Nm.

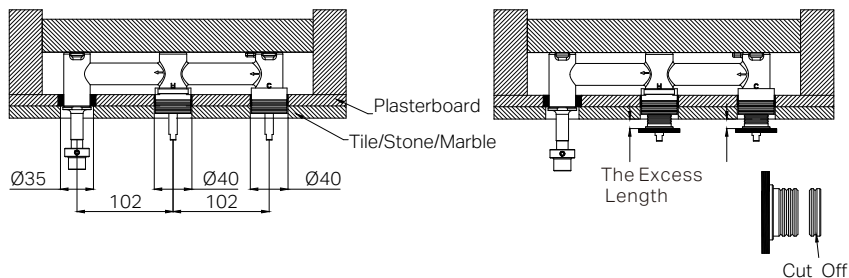
5. Turn on the water to test the spindle cartridge, ensuring there are no leaks .



6. Fix the waterproofing sleeves with an O-ring onto the body properly.

Temporarily reference the finished tile/stone/marble surface and mark the waterproofing sleeves 4–7mm below the finished surface level. Remove the sleeves

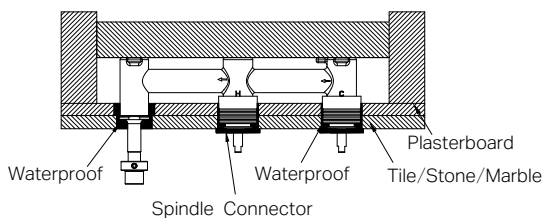
7. Apply waterproofing membrane to the gaps where the plasterboard, waterproofing sleeve, and outlet fitting meets.



8. Install the tile/stone/marble and drill three holes as shown in the diagram.

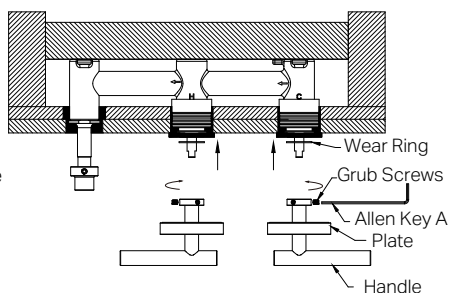
9. Screw the spindle connectors onto the spindle nuts and measure the length protruding beyond the finished tile/stone/marble wall surface.

10. Remove the spindle connectors and cut off the excess length.



11. Fix the cut spindle connectors onto the spindle nuts, ensuring they sit flush against the finished tile / stone / marble surface.

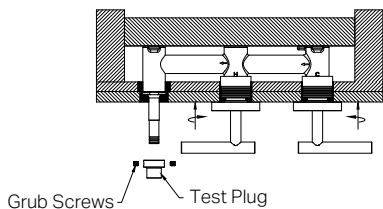
12. Apply waterproofing membrane to seal the gaps around the tile / stone / marble surface, waterproofing sleeve, spindle connection and outlet pipe.



13. Slide the wear ring onto the spindle connection.

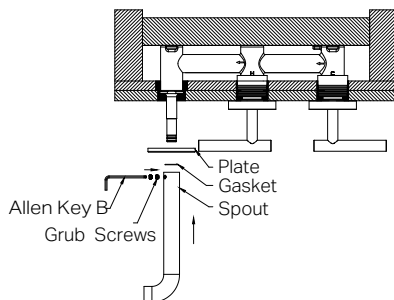
14. Rotate the left spindle clockwise and the right spindle counter-clockwise to the OFF position. Attach the handle and plate, ensuring the handle stem is aligned as shown.

15. Slide the plate outward and tighten the grub screws on both handles using the Allen key A.



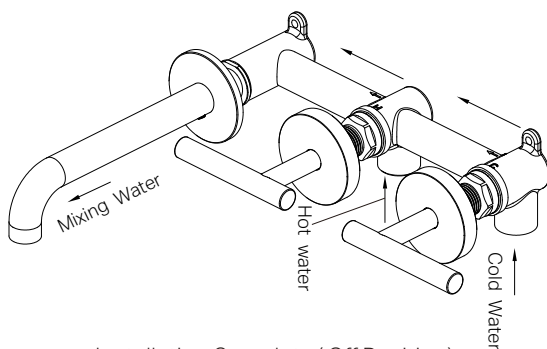
16. Slide the handle plates inward and hand-tighten until secure.

17. Remove the test plug from the outlet pipe.



18. Slide the plate, gasket and spout onto the mixer body. Secure the spout using the grub screws and Allen key B.

Note: Apply silicone sealant around the mounting hole.



Installation Complete (Off Position)

19 Turn on the water supply and check all connections for leaks.

FINAL INSPECTION

- Ensure the product operates smoothly and that there are no leaks at the connections.
- Clean the area and the newly installed tap with a soft cloth to remove any installation residues.

MAINTENANCE AND CARE

- Regularly check the product and connections for signs of wear or leaks.
- Clean the product with mild soapy water to maintain its appearance, avoiding harsh chemicals and abrasive materials that may damage the finish.

Nero



Warranty Policy